

L/R S

Published at 22 July 2025. Last revised at 21 April 2026

Table of Contents

- Introduction
- What's included with the L/R S?
- Rear panel connections
- Remote control
- Getting connected
- Bluetooth source
- Technical specifications

Introduction

This guide is designed to make installing and using this product as easy as possible. Information in this document has been carefully checked for accuracy at the time of publishing; however, Cambridge Audio's policy is one of continuous improvement, therefore design and specifications are subject to change without prior notice.

This document contains proprietary information protected by copyright. All rights are reserved. No part of this manual may be reproduced by any mechanical, electronic or other means, in any form, without prior written permission of the manufacturer. All trademarks and registered trademarks are the property of their respective owners.

© Copyright Cambridge Audio Ltd 2025

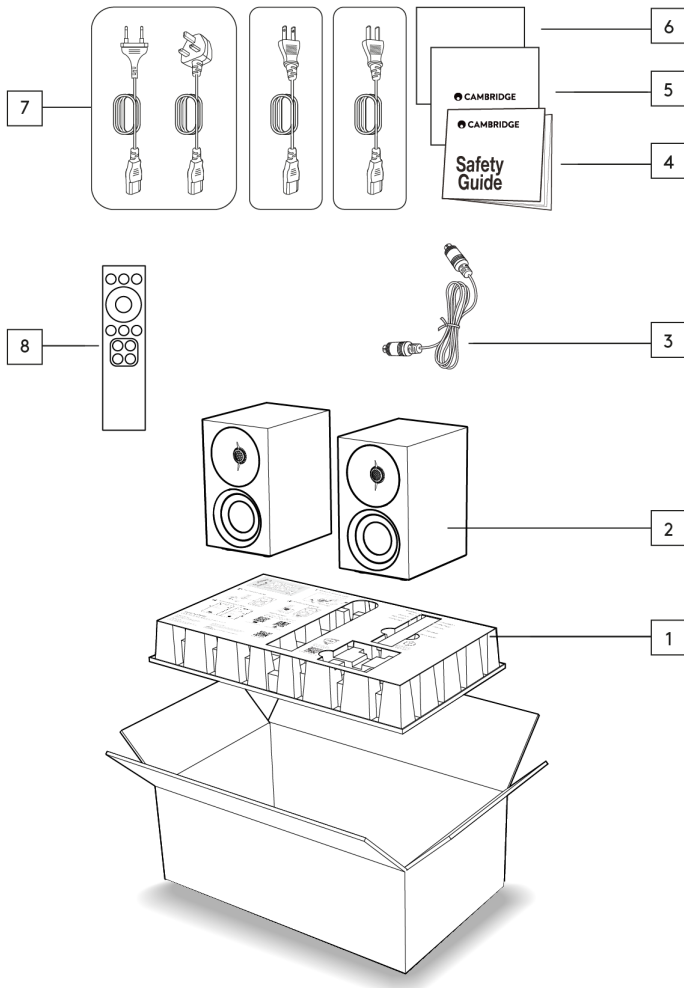
Qualcomm is a trademark of Qualcomm Incorporated, registered in the United States and other countries, used with permission. aptX is a trademark of Qualcomm Technologies International, Ltd., registered in the United States and other countries, used with permission.

Qualcomm aptX is a product of Qualcomm Technologies International, Ltd.

The Bluetooth® word mark and logos are registered trademarks owned by the Bluetooth SIG, Inc. and any use of such marks by Audio Partnership Plc is under license. Other trademarks and trade names are those of their respective owners.

For upcoming news on future products, software updates and exclusive offers, make sure you register your product at <http://www.cambridgeaudio.com/register>

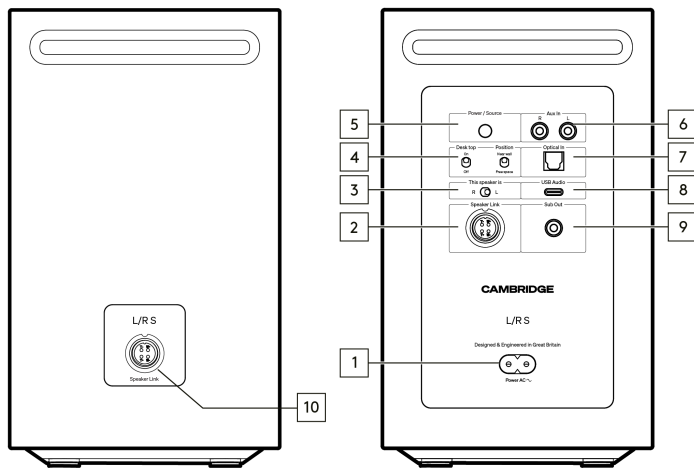
What's included with the L/R S?



Inside the box of your L/R S you will receive:

1. Quick Start Guide
2. L/R S speaker pair
3. Speaker link cable
4. Safety guide
5. Brand book
6. Community letter
7. Regional power cable
8. Remote control

Rear panel connections



1. AC Power socket

Once you have completed all connections to the primary and secondary speakers, plug the AC power cable into an appropriate mains socket.

2. Speaker Link

Use to connect the secondary speaker to the primary one.

Optional 5m cable is available here: cambridgeaudio.com/lrs-5m-cable

3. Speaker selection

Use to select if the primary speaker is located to the left or right, to ensure a correct stereo image.

4. Desk top mode / Position

Desk top mode

Select "On" when your speakers are placed directly on top of a desk. This mode reduces the midrange energy and adjusts the time alignment of the tweeters to compensate the reflection from the desk surface.

If using your L/R S as desktop speakers, it is recommended to try tilting them slightly upwards so that they point towards your ears. Dedicated desktop stands can be found here: cambridgeaudio.com/lrs-desk-stands - When using our dedicated stands, Desk top mode should be "Off".

Position

Select "Free space" when your speakers are located more than 20cm away from a wall.

Select "Near wall" when they are against or very near a wall.

5. Power / Source

Press to switch the unit on or scroll between inputs.

Long press to enter standby mode.

Note: A long press on this button while powering up the speaker will reset the unit to factory settings. 3 red flashes on the front LED will confirm that the factory reset has been done.

Note: The front LED changes colour depending on source. Blue for BT, White for USB, Pink for Optical, and Orange for Aux.

6. Auxiliary input

Use this line-level input to connect any analogue sources, like a CD player, tuner or turntable with an integrated phono stage.

7. Digital Input (Optical)

Use this digital input to connect any sources fitted with an optical output, like a TV, streamer or CD player. This input is suitable for 16-24 bit content up to 96kHz sampling rate.

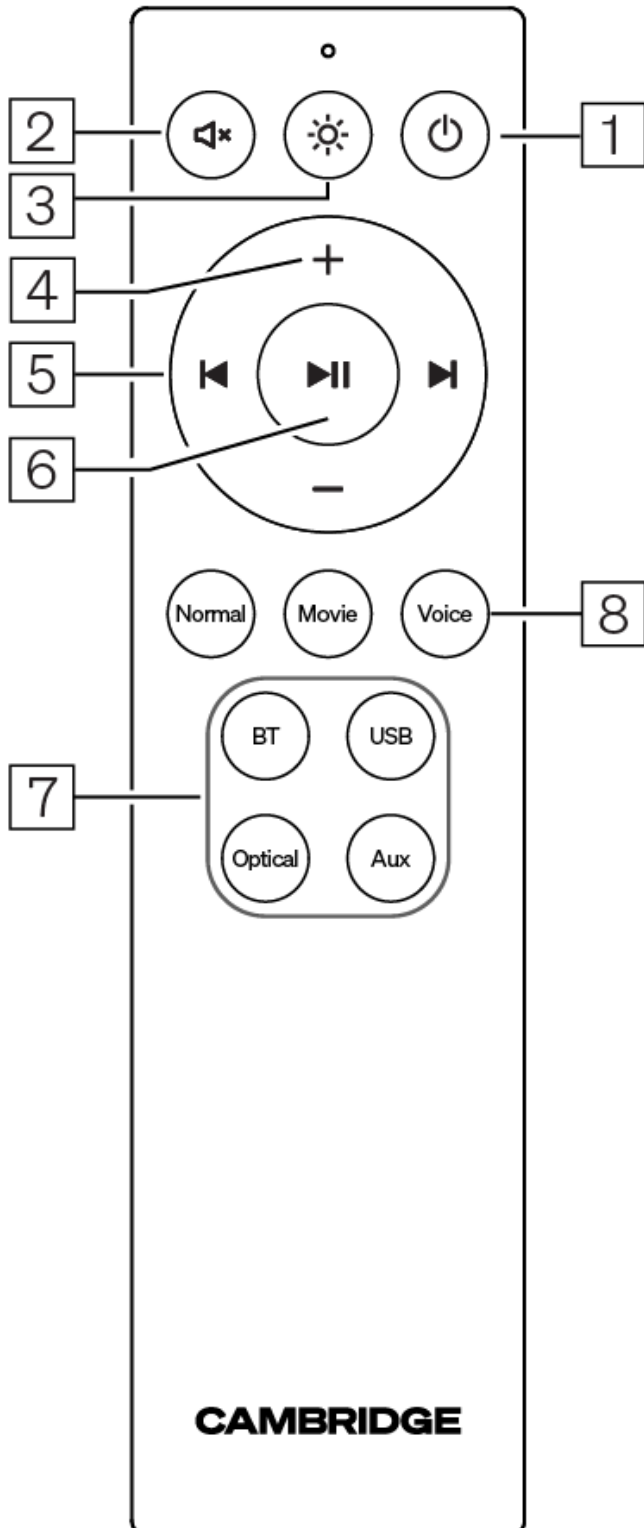
8. USB Audio

For connecting to PC/Mac computers as well as some Android smartphones.

9. Subwoofer output

Use this output to connect any external subwoofer.

Remote control



Before first use, the remote control must be paired with the speaker. First turn on your speaker, then pull the plastic tab from the bottom of the remote. The remote should pair automatically with the speaker.

If the remote fails to pair (indicated by a red flash when any button is pressed), please perform a factory reset on the speaker:

First turn off your speaker and wait a few seconds.

While holding the Power / Source button on the rear of the speaker, reconnect the mains power cable. Continue holding the button until the front LED flashes red three times, then release.

The remote should then pair automatically within 10 seconds.

1. Standby/On

Switches the Player between On and Standby mode.

2. Mute

Press to mute or un-mute the audio.

3. Brightness

Pressing this button will alter the brightness of the Primary speaker LED between bright, dim and off.

4. Volume up/down

Volume level adjust.

5. Skip previous/next

Skips between previous and next tracks (only works when playing via Bluetooth).

6. Play/Pause

Play or Pause current track (only works when playing via Bluetooth).

7. Source selection

Selects the Bluetooth, USB, Optical or Auxiliary input.

You can press and hold the "BT" button on the remote to force the speaker into Bluetooth pairing mode. This will immediately disconnect any currently connected Bluetooth device and allow connection or pairing of another device to the speaker.

8. EQ settings

Selects the EQ that best suits you, between Normal, Movie, or Voice.

Press and hold the "Normal" button for your speaker to remember the volume setting of each input independently.

Press and hold the "Movie" button for your speaker to remember the EQ setting of each input independently.

Note:

Blue LED flashing on the remote (when pressing buttons) means that the remote is connected to the speaker.

Red LED flashing on the remote (when pressing buttons) means that the remote is not currently connected to a speaker.

If the LED on the remote control does not light up, please check that the battery has not expired, or if new, that the battery protection tab has been removed.

If the LED on the remote keeps on flashing red or flashes blue but with no response from the speaker, please try factory resetting the speaker as described above or force the remote into pairing mode by pressing the Play/Pause and Mute buttons simultaneously until the LED starts flashing blue. Alternatively, please visit our FAQ for more detailed information. <https://www.cambridgeaudio.com/gbr/en/faqs/lr-s-remote-not-pairing>

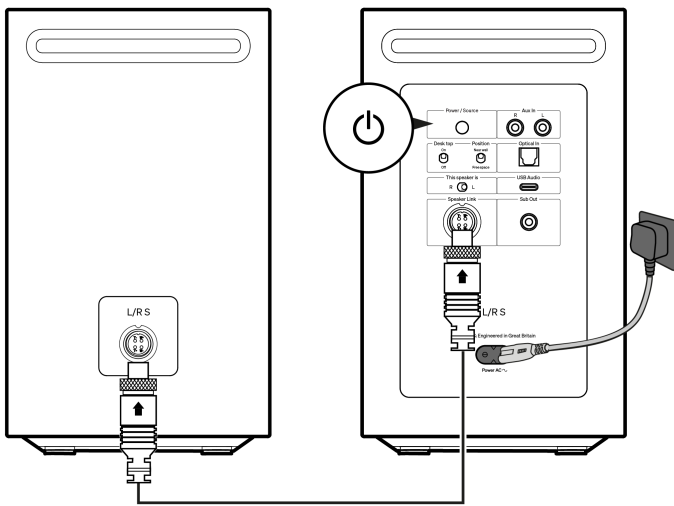
Getting connected

Basic Connections

Important Note: Switch the power off before making any connections.

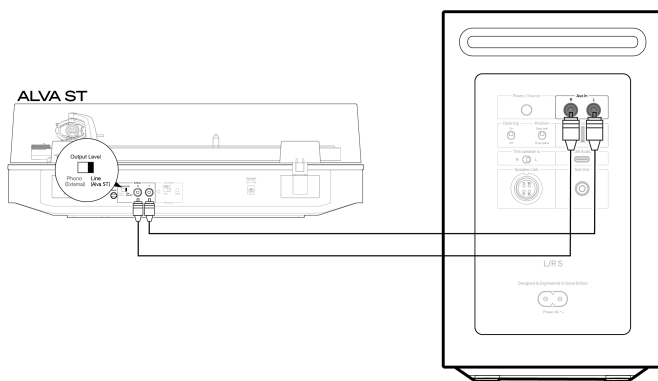
Secondary Speaker

Connect the secondary L/R S speaker using the Speaker Link cable provided, making sure it is fully inserted and securely screwed at both ends.



Analogue Auxiliary Input

An analogue device such as a CD player, tuner or turntable with an integrated phono stage can be connected to this line level input.

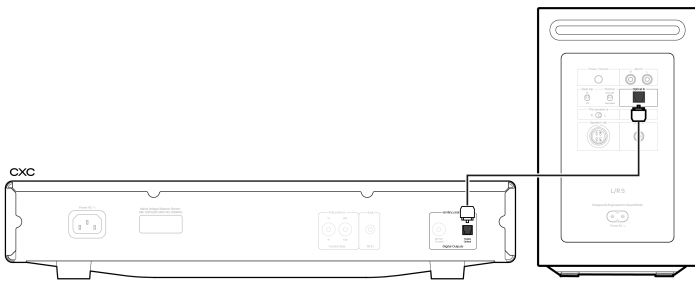


Digital Optical Input

A digital device such as a TV, Streamer or CD player can be connected to the Optical input.

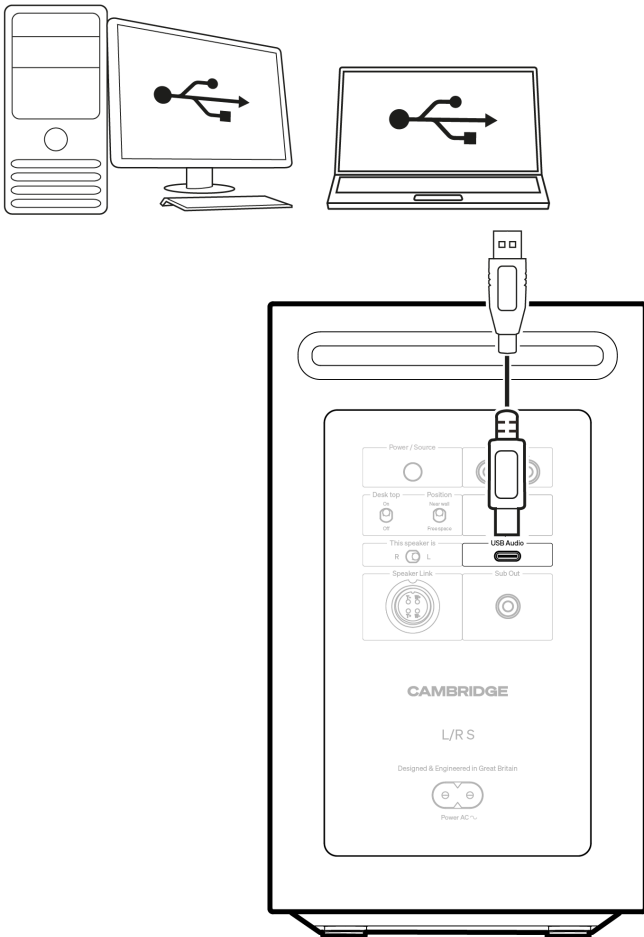
This input is suitable for 16-24 bit content up to 96kHz sampling rate.

Please use a high quality TOSLINK fibre optic interconnect cable designed specifically for audio use.



USB Audio Input

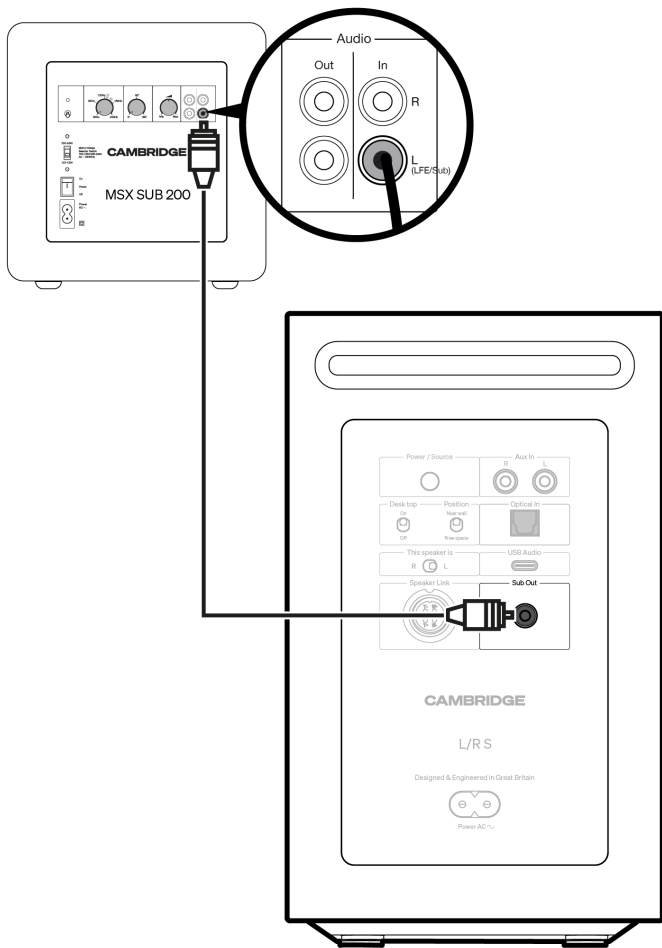
PC and Mac computers as well as some Android smartphones can be connected to the USB Audio input.



Subwoofer Output

Use this output to connect any external subwoofer.

Please note that for best sound quality, low frequency signals will stop being reproduced by the L/R S when a subwoofer is connected. Please ensure your subwoofer is always turned on when listening to the L/R S or disconnect it from the back of the L/R S.

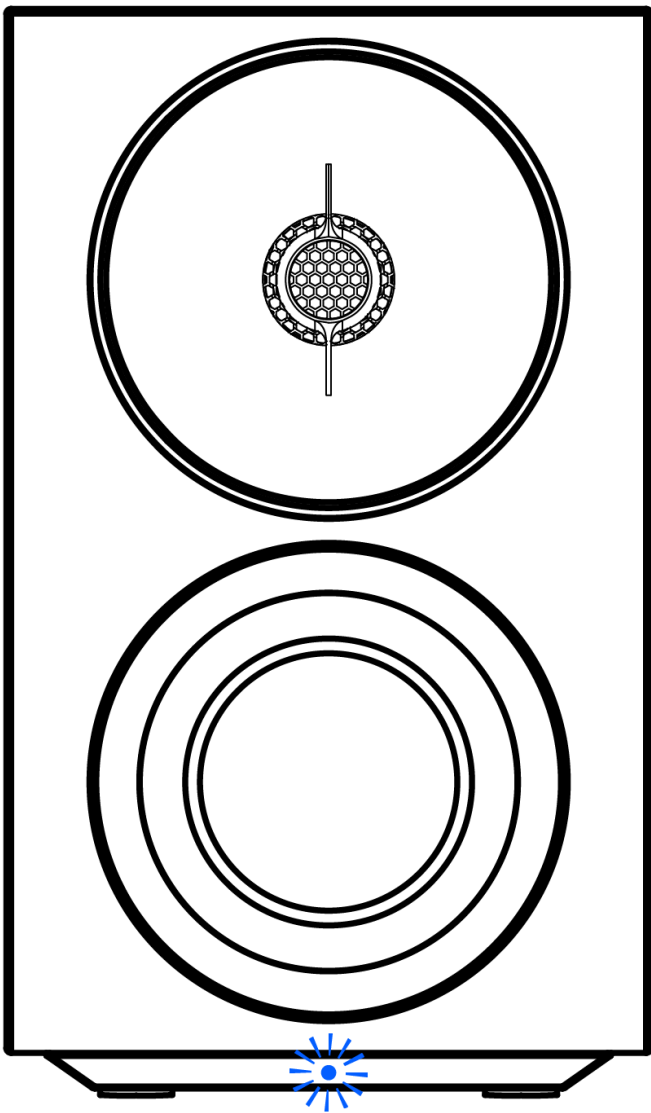


Bluetooth source

The Bluetooth source allows your player to receive wireless Bluetooth audio from most phones, tablets and laptops.

Pairing

To begin streaming high-quality music from your chosen media source it will first need to be paired with your speaker.



1. Select the Bluetooth source on your speaker
2. Open your mobile device or laptops Bluetooth settings
3. Select Cambridge L/R S from the list of available devices
4. Your device should now connect to your speaker

Once paired you should be able to connect to your L/R S at any time by selecting the Bluetooth source on your speaker and then choosing Cambridge L/R S from the list of previously connected devices.

You can press and hold the "BT" button on the remote to force the speaker into Bluetooth pairing mode. This will immediately disconnect any currently connected Bluetooth device and allow connection or pairing of another device to the speaker.

Note:

Your Bluetooth device can only be connected to your speaker while the Bluetooth source is selected.

Technical specifications

POWER OUTPUT

4 x 25W into 4 Ohms

AMPLIFICATION

Class-D

SNR >104dB (A-weighted)

THD + N (at 1W, 1 kHz) - 0.05%

DRIVERS

2 channels per speaker - ported system:

1" Aluminium dome tweeter

3" PP cone mid-woofers

FREQUENCY RESPONSE

60Hz to 20kHz +/-3dB

ANALOGUE AUDIO INPUT

1 x Line level - RCA pair

DIGITAL AUDIO INPUT

1 x Optical - TOSLINK

CONNECTIVITY

1 x USB Audio - USB-C

ANALOGUE AUDIO OUTPUT

1 x Subwoofer - RCA

COMPATIBILITY

TOSLINK Optical: 16/24bit 32-96kHz PCM only

Bluetooth: 5.1 A2DP / AVRCP supporting SBC, AAC and up to aptX HD

USB Audio: 16/24bit 32-96kHz PCM only

MAX POWER CONSUMPTION

150W

STANDBY POWER CONSUMPTION

<0.5W

DIMENSIONS (W x H x D)

134 x 226 x 180mm (5.4 x 8.9 x 7.1") each speaker

WEIGHT

3.1kg (6.8lbs) Primary speaker

2.9kg (6.4lbs) Secondary speaker